

PARTS LIST

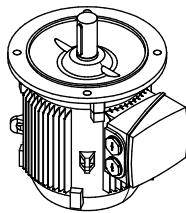
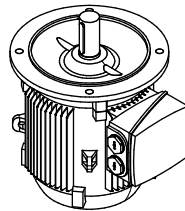
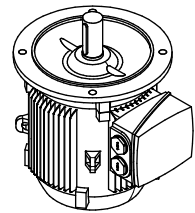
Datum: 4/05/18
 Tid: 15:12:33
 Använd: HEDGARC

Item No.	Rev.	Description	Reg. by / Appr. by Reg. date	Rev. by / Appr. by Rev. date
253453A	0	SP01080396 INDEX	ZELE/ZELE	
Sida: 1			171205	000000

Pos	Chg.	Item No.	Doc fmt.	Description	Qty.	Unit	Dimension	Note
1	0	252876A	4	SP ADVANTEC PLENUM CHAMBER	1	PCS		
2	0	252885A	4	SP ADVANTEC SPRAYBOX	1	PCS		
3	0	252511	4	SP ADVANTEC CONVEYOR	1	PCS		
4	0	252504	4	SP ADVANTEC PLENUM LID	1	PCS		
5	0	253068A	4	SP ADVANTEC FLOOR	1	PCS		
6	0	252948A	4	SP ADVANTEC LIGHT	1	PCS		
7	0	252507	4	SP ADVANTEC SENSORS/STOP/ALARM	1	PCS		
8	0	1257604A	4	SP GEARMOTOR KH47 DRE71M6	1	PCS		
9	0	253256A	4	SPADVANTEC INSULATED ENCLOSURE	1	PCS		
10	0	252901A	4	SP ADVANTEC DRIVE UNIT	1	PCS		
11	0	252712A	4	SP ADVANTEC INFEED UNIT	1	PCS		
12	0	253266A	4	SP BELT 900 M13	1	PCS		
13	0	252267	4	SP ADVANTEC FAN MOTOR	1	PCS		
14	0	252902A	4	SP ADVANTEC SCRAPER	1	PCS		
15	0	1364857A	4	SP GEARMOTOR KH47 DRE71M6	1	PCS		
16	0	1339734A	4	SP ADVANTEC PZR *** End of report ***	1	PCS		

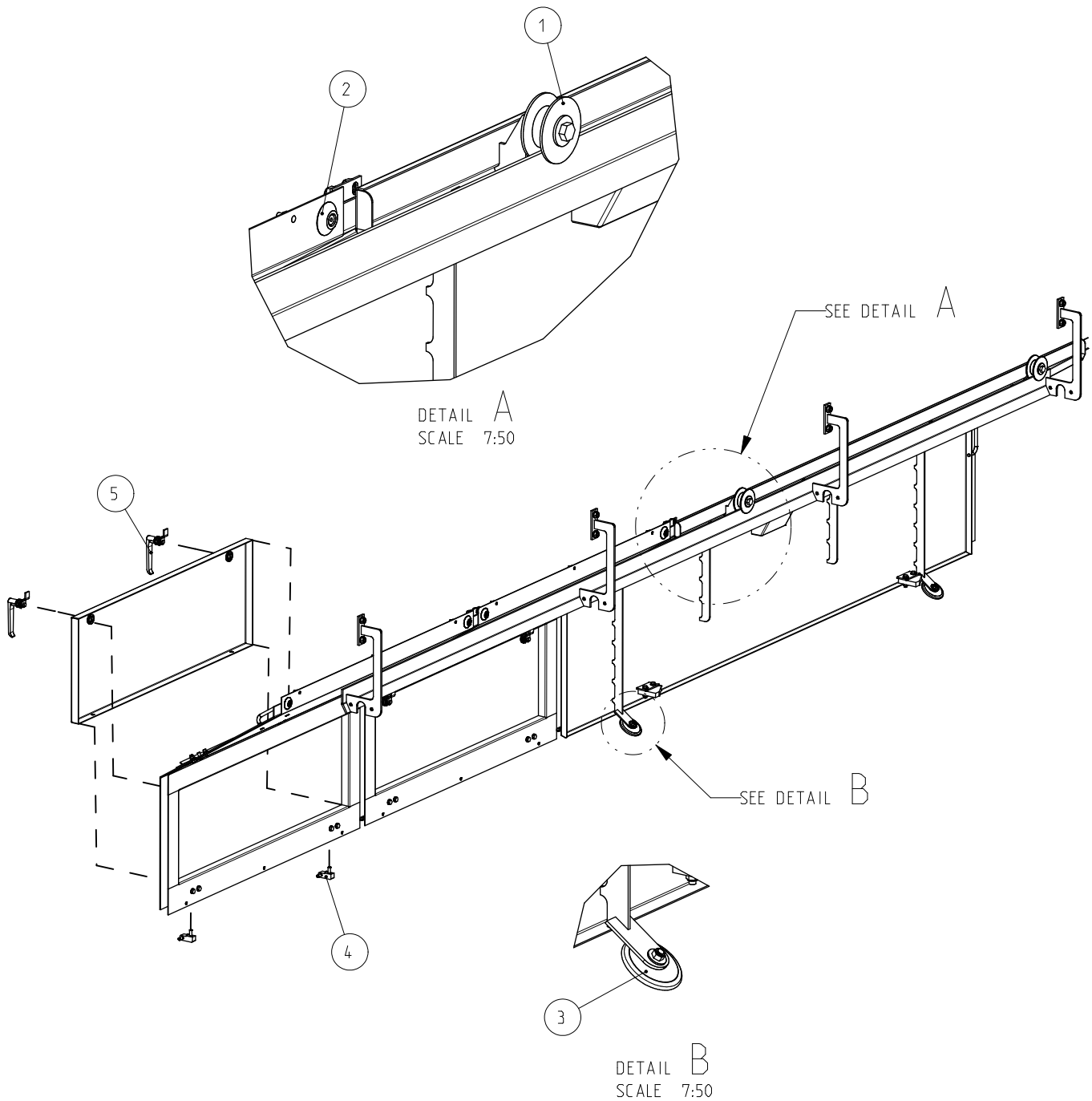


SPARE PARTS				
ITEM NO.			MANUFACTURING NUMBER	
170602E			00000000	
TITLE				SHEET OF
FANMOTOR ASSY				1 1
INDEX	ITEM NO.	QTY	DESCRIPTION	DIMENSION
1	306791AEB	3	MOTOR 1TZ9A132M-4, 7.5KW	



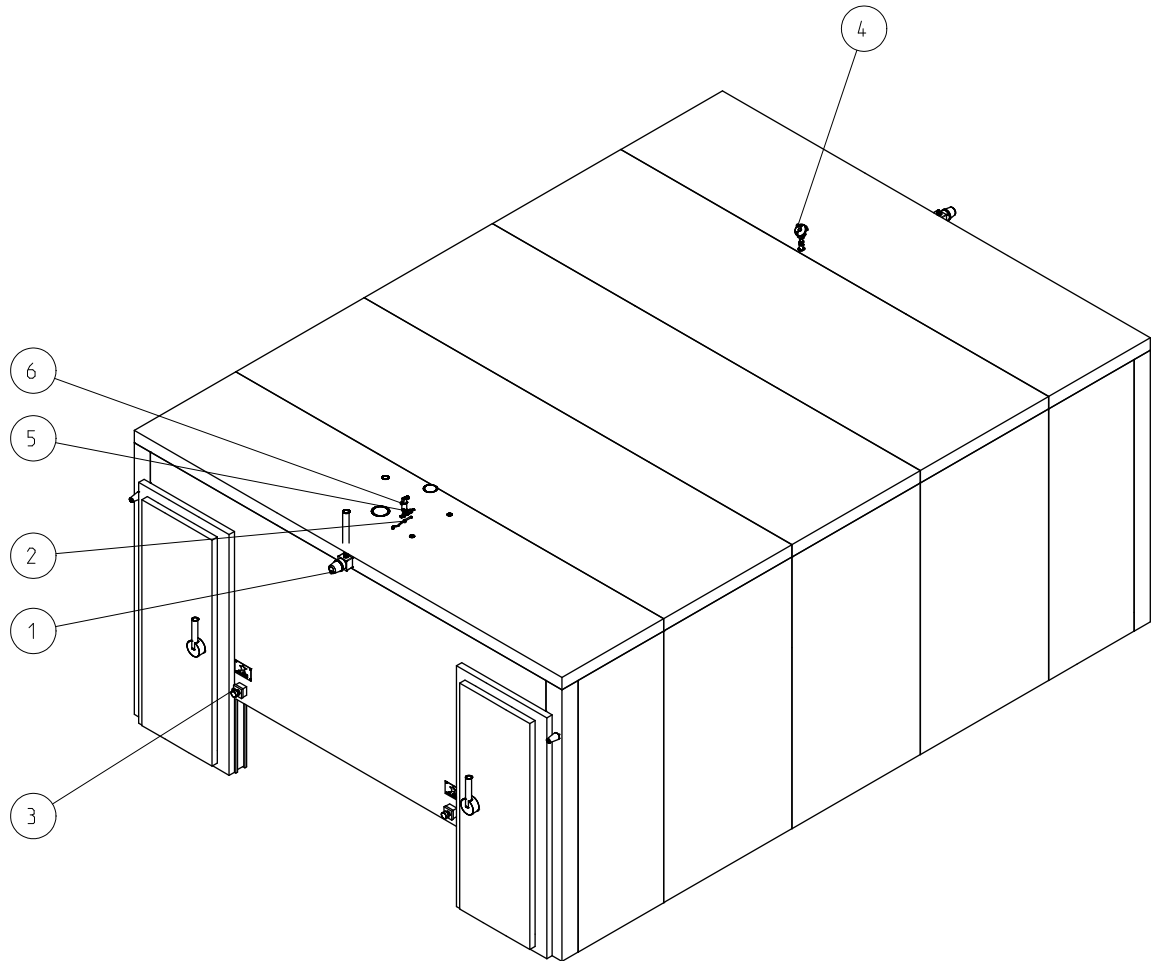


SPARE PARTS				
ITEM NO.			MANUFACTURING NUMBER	
1039724B			00000000	
TITLE				SHEET OF
PLENUM LID (1 SIDE)				1 1
INDEX	ITEM NO.	QTY	DESCRIPTION	DIMENSION
1	167409	2	WHEEL	
2	167413	4	GLIDE SPACER	
3	168213	2	WHEEL	
4	302015C	4	HINGE, STAINLESS	
5	302526C	4	LOCK, STAINL. WITH HANDLE	





SPARE PARTS				
ITEM NO.			MANUFACTURING NUMBER	
1041552BA			00000000	
TITLE				SHEET OF
SENSORS/E-STOP/ALARM				1 1
INDEX	ITEM NO.	QTY	DESCRIPTION	DIMENSION
1	206748A	2	ALARM/WARNING LAMP	
2	301097A	1	TEMP.SENSOR PT 100	
3	302604B	4	EMERGENCYSTOPBOX TELEMEC	
4	300560D	1	TEMP.SENSOR PT 100	
5	306406A	1	VALVE, DANFOSS TYP SNV-ST	
6	310194A	1	PRESSURETRANSM DANFOSS AKS 33	

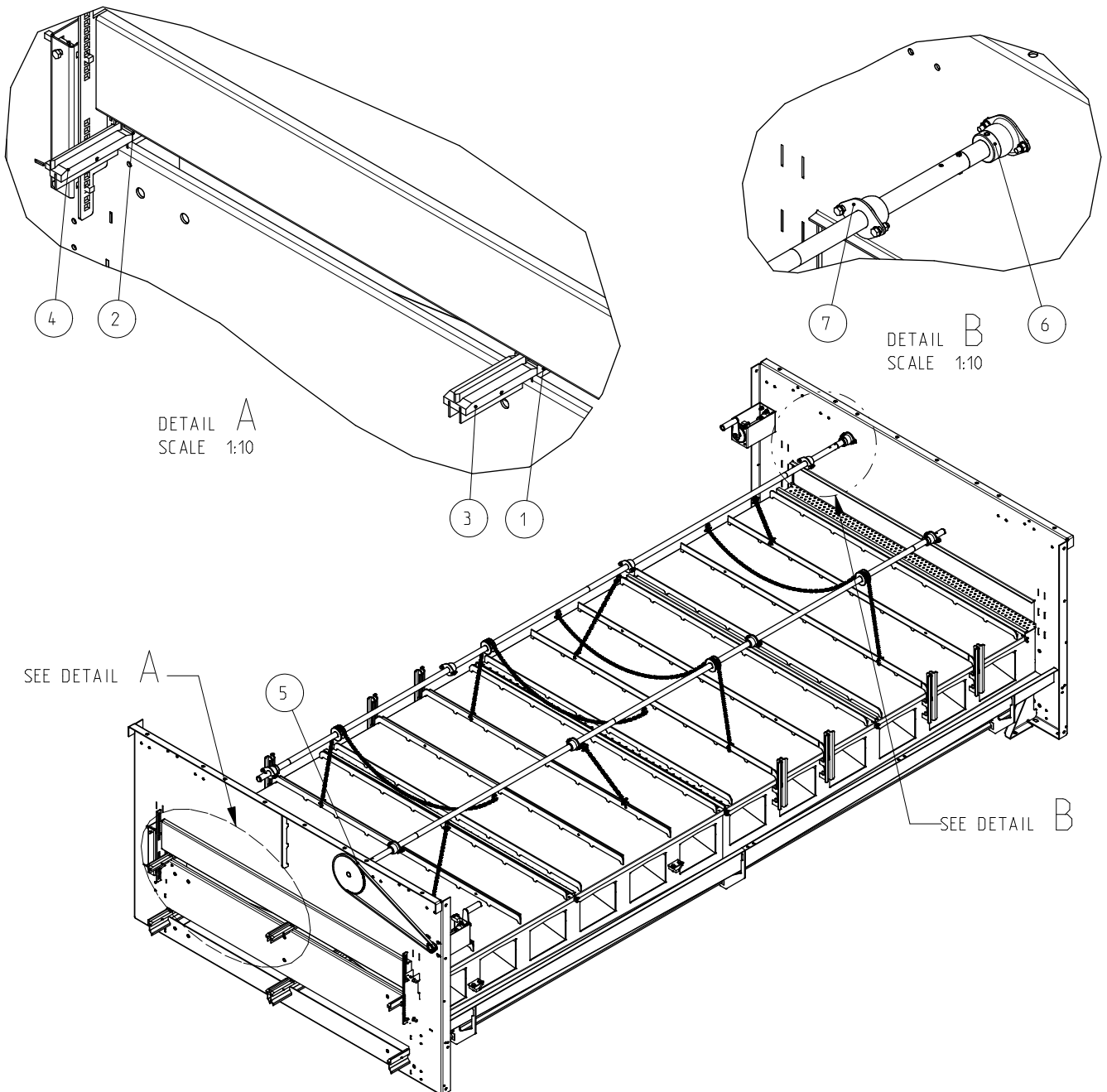


- ITEMS 5 AND 6 ARE AVAILABLE IF DELIVERED



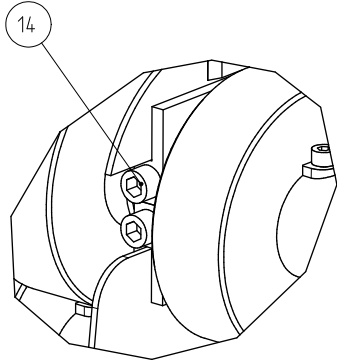
SPARE PARTS				
ITEM NO.			MANUFACTURING NUMBER	
1039668GB			00000000	
TITLE				SHEET OF
CONVEYOR ASSY				1 OF 1
INDEX	ITEM NO.	QTY	DESCRIPTION	DIMENSION
1	170038A	20	GLIDE STRIP	
2	170038B	40	GLIDE STRIP	
3	170039A	4	GLIDE STRIP	
4	170039B	8	GLIDE STRIP	
5	301977R	2	CHAIN ROLLER- 3/8" STAINL	
6	300793C	8	SETCOLLAR 30	
7	301906A	14	BEARING NOLU-S FBS-19	

NOTE!
Quantities for one module only.

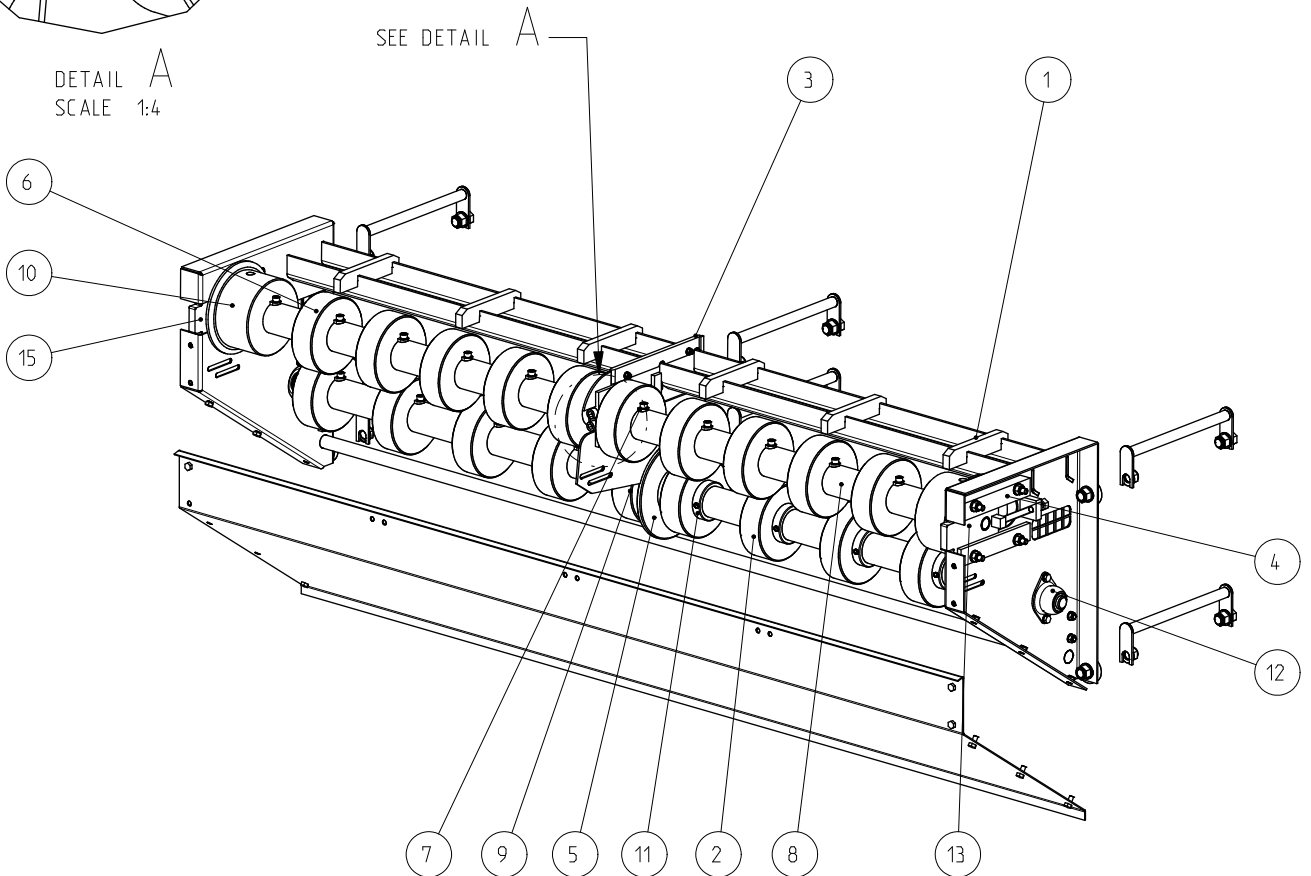




SPARE PARTS				
ITEM NO.			MANUFACTURING NUMBER	
1070917B			00000000	
TITLE				SHEET OF
INFEED UNIT 2 BELTS				1 1
INDEX	ITEM NO.	QTY	DESCRIPTION	DIMENSION
1	167624	6	SUPPORT	
2	167627	5	WHEEL	
3	167667	1	SUPPORT MID	
4	167720	4	GUIDE	
5	169930	1	WHEEL SPACER	
6	173239	15	WHEEL	
7	173320	2	KEY 18X11-80 SPECIAL	
8	1070561B	2	SHAFT 2 BELTS	
9	1070653B	1	SHAFT 2 BELTS	
10	1236620A	2	WHEEL	
11	300081H	10	SET COLLAR 60	
12	300297B	2	BEARING NOLU-S FBS-16	
13	305012A	4	BEARING NOLU-S BALL 1-11/16"	
14	169939	2	SET SCREW M12X190	
15	1070539A	2	SLIDING PLATE	

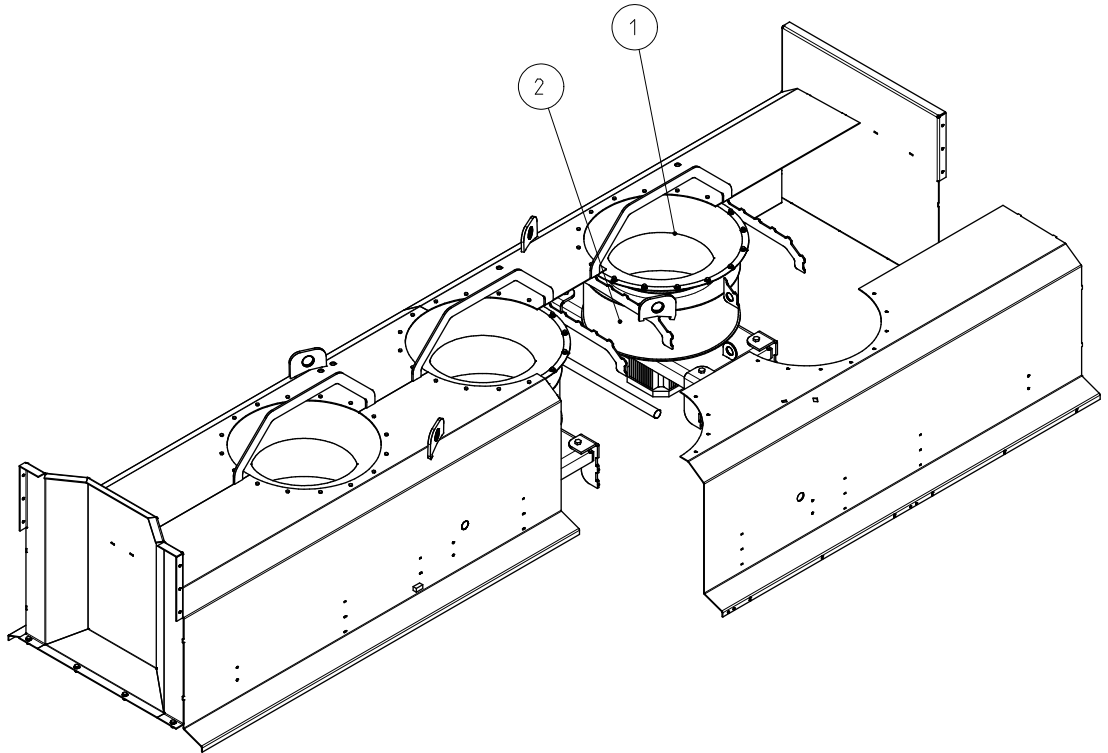


DETAIL A
SCALE 1:4



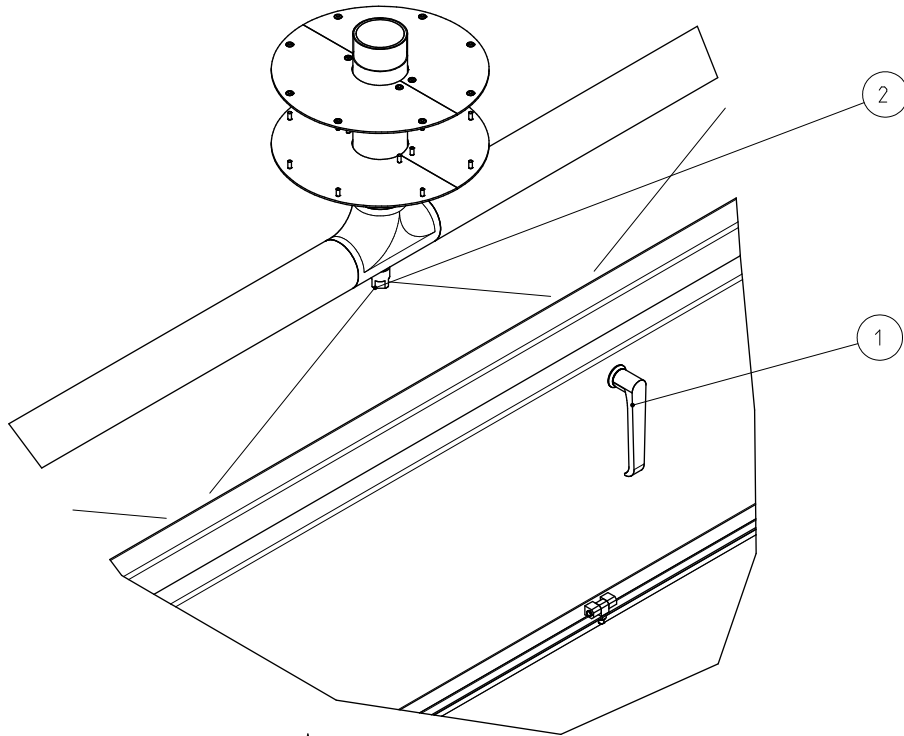


SPARE PARTS				
ITEM NO. 1112935A			MANUFACTURING NUMBER 00000000	
TITLE PLENUM				SHEET OF 1 1
INDEX	ITEM NO.	QTY	DESCRIPTION	DIMENSION
1	166470	3	SHALLOW INLET CONE27	
2	168378	3	FAN WHEEL 27" - 107%	

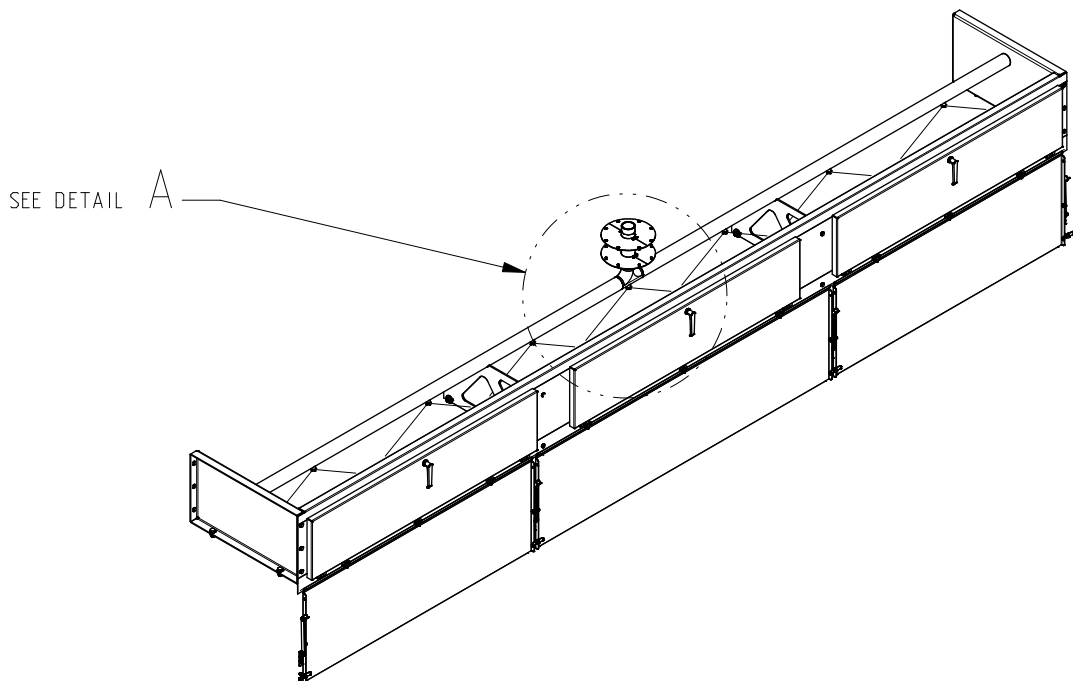




SPARE PARTS				
ITEM NO. 1113416A			MANUFACTURING NUMBER 00000000	
TITLE SPRAY BOX				SHEET OF 1 1
INDEX	ITEM NO.	QTY	DESCRIPTION	DIMENSION
1	302526C	3	LOCK, STAINL. WITH HANDLE	
2	300057A	7	SPRAY NOZZLE B1/2HH35W	



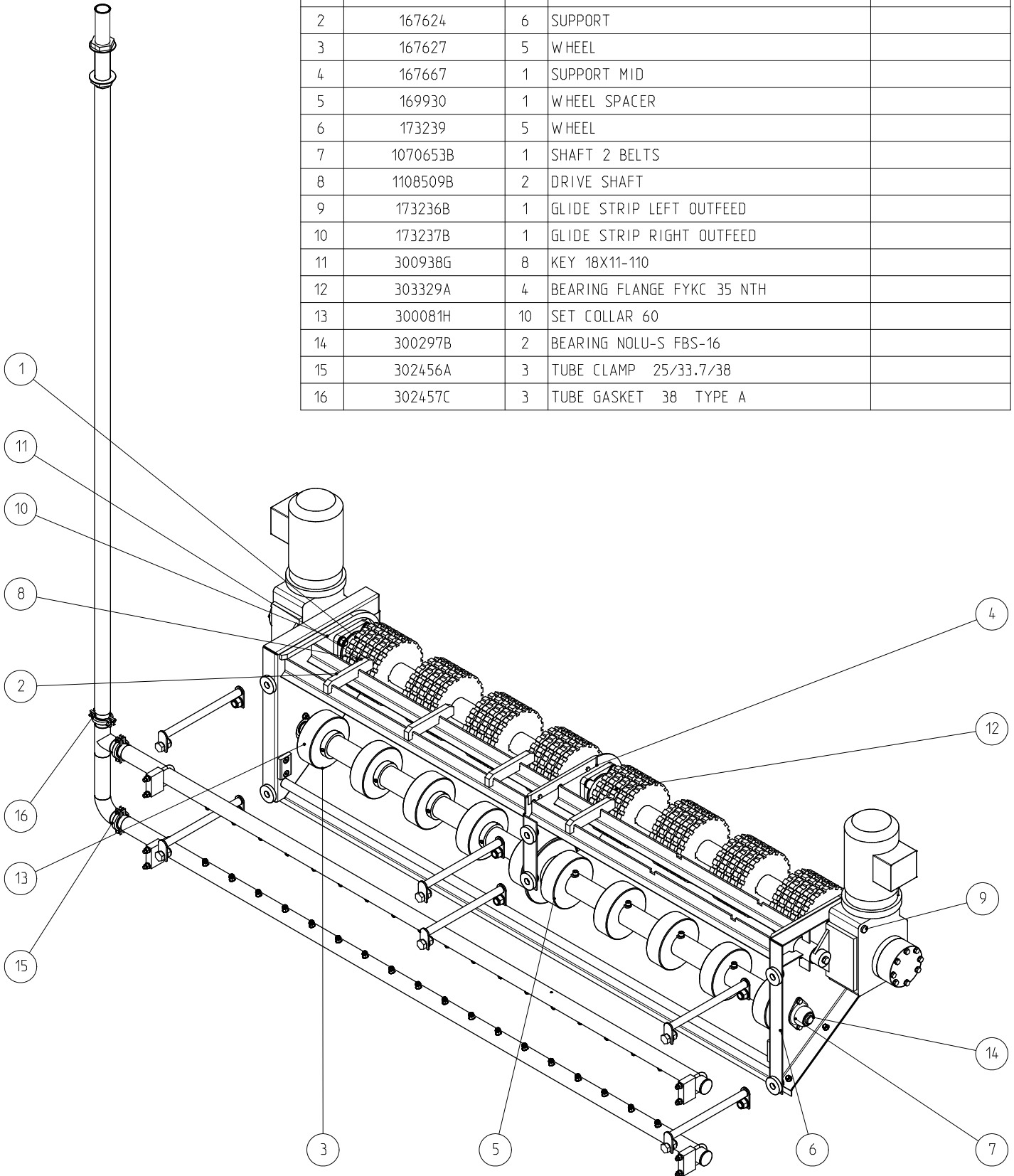
DETAIL A
SCALE 3:25





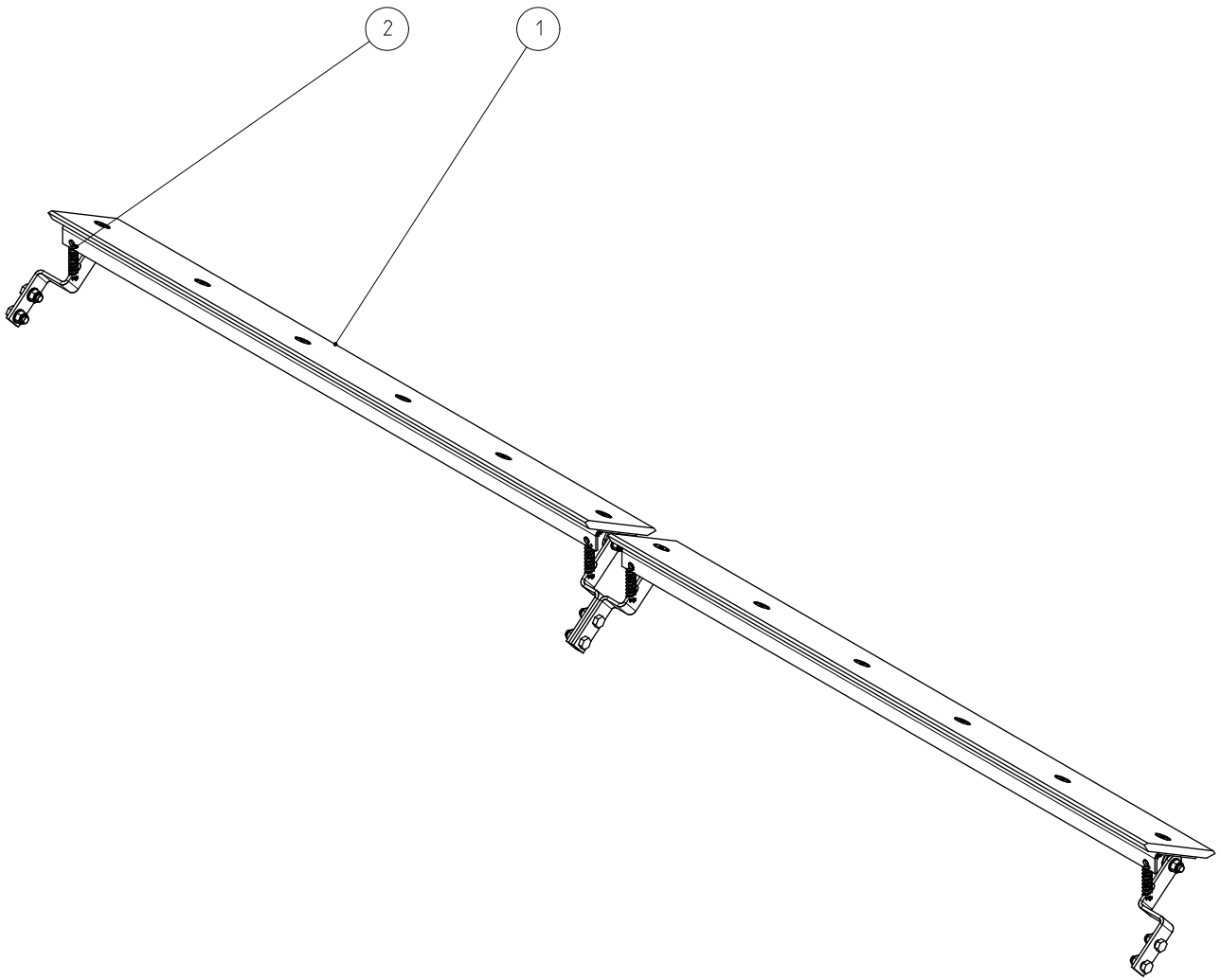
SPARE PARTS

ITEM NO.			1109200B	MANUFACTURING NUMBER		00000000		
TITLE							SHEET	OF
DRIVE UNIT 2 BELTS							1	1
INDEX	ITEM NO.	QTY	DESCRIPTION				DIMENSION	
1	167513	8	PULLEY					
2	167624	6	SUPPORT					
3	167627	5	WHEEL					
4	167667	1	SUPPORT MID					
5	169930	1	WHEEL SPACER					
6	173239	5	WHEEL					
7	1070653B	1	SHAFT 2 BELTS					
8	1108509B	2	DRIVE SHAFT					
9	173236B	1	GLIDE STRIP LEFT OUTFEED					
10	173237B	1	GLIDE STRIP RIGHT OUTFEED					
11	300938G	8	KEY 18X11-110					
12	303329A	4	BEARING FLANGE FYKC 35 NTH					
13	300081H	10	SET COLLAR 60					
14	300297B	2	BEARING NOLU-S FBS-16					
15	302456A	3	TUBE CLAMP 25/33.7/38					
16	302457C	3	TUBE GASKET 38 TYPE A					





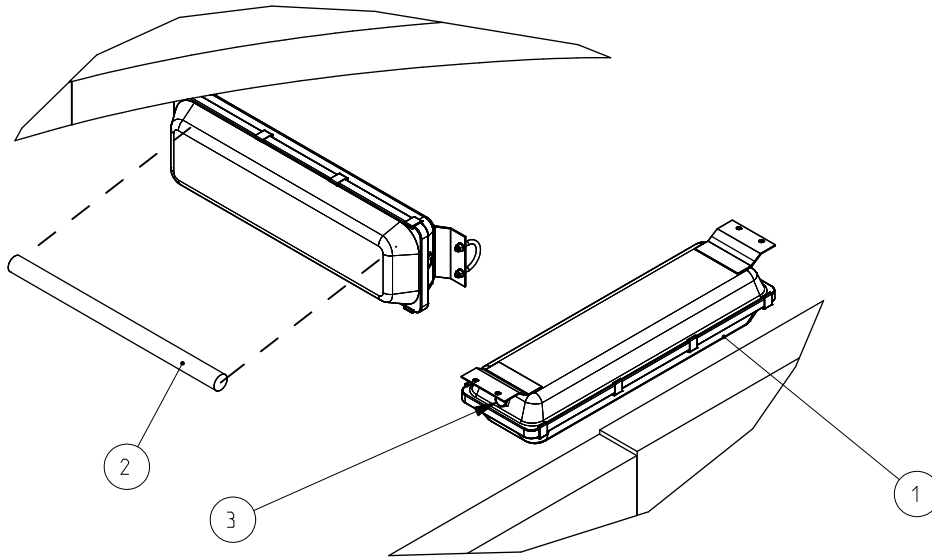
SPARE PARTS				
ITEM NO.			MANUFACTURING NUMBER	
1109195B			00000000	
TITLE				SHEET OF
PLASTIC SCRAPER 2 BELTS				1 1
INDEX	ITEM NO.	QTY	DESCRIPTION	DIMENSION
1	1070746D	2	SCRAPER	
2	303330A	4	SPRING NO.42420	



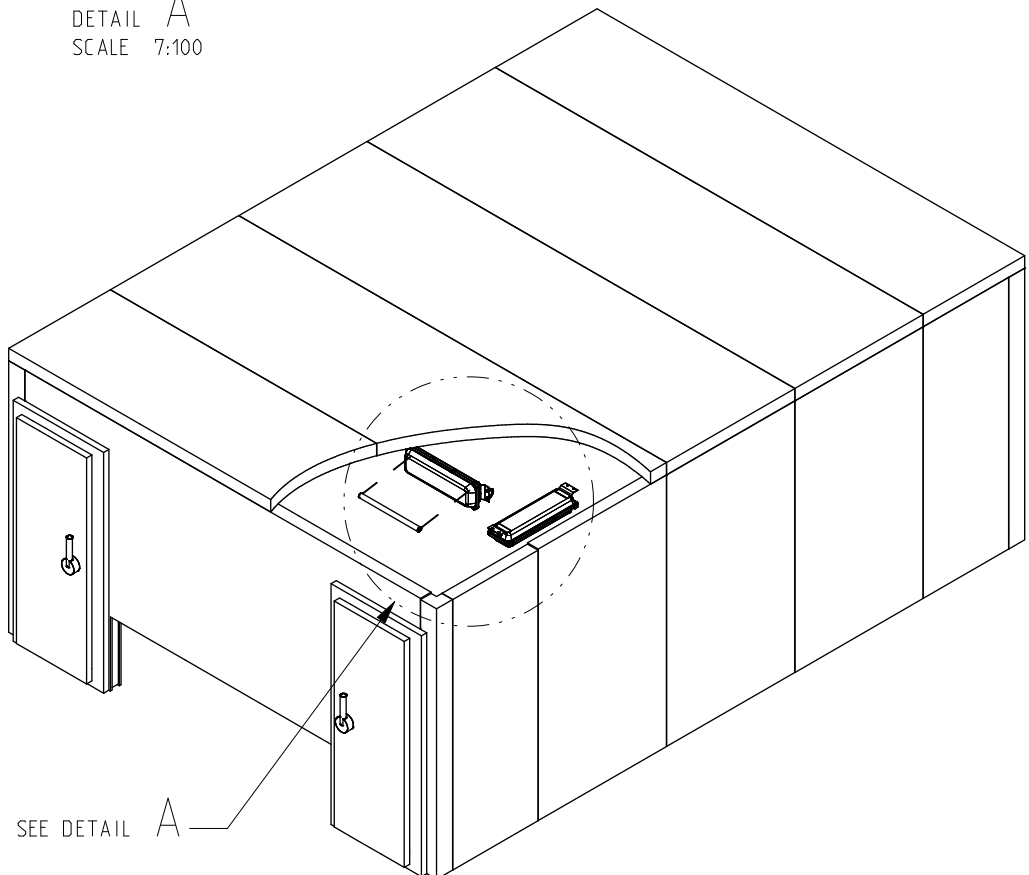
SCALE 3:25



SPARE PARTS				
ITEM NO.			MANUFACTURING NUMBER	
1041526BS			00000000	
TITLE				SHEET OF
LIGHT ASSEMBLY				1 1
INDEX	ITEM NO.	QTY	DESCRIPTION	DIMENSION
1	302611I	6	LAMP MIRU67 230V 60HZ	
2	302674C	12	FLUORESCENT TUBE 18W /840	
3	301293AAF	6	CABLE GLAND SEAL PR 22.5	

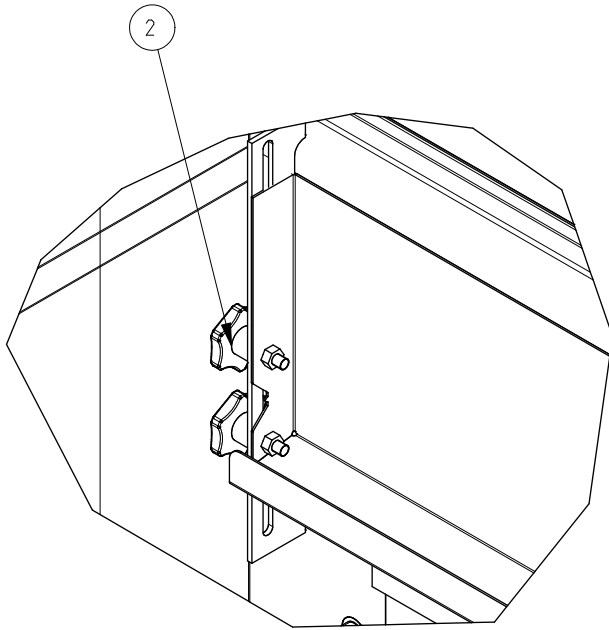


DETAIL A
SCALE 7:100

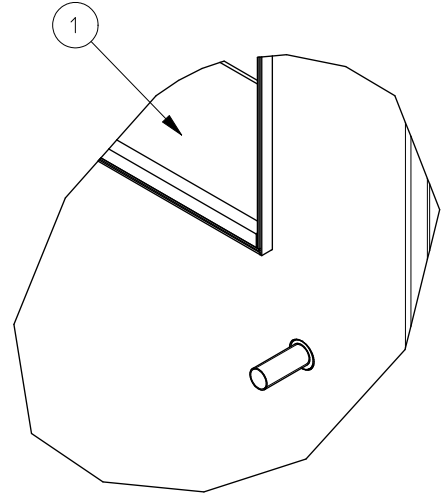




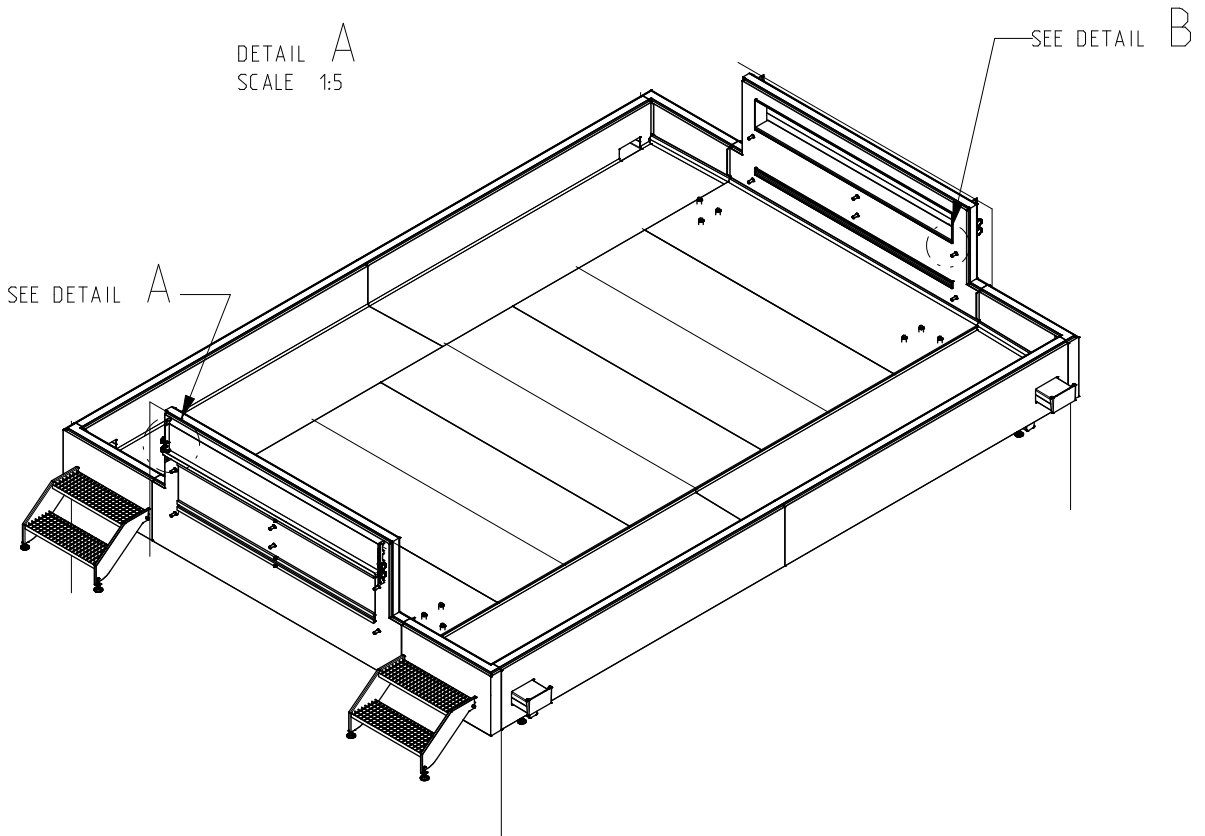
SPARE PARTS				
ITEM NO.			MANUFACTURING NUMBER	
1182100DA			00000000	
TITLE				SHEET OF
FLOOR, ASSEMBLY				1 1
INDEX	ITEM NO.	QTY	DESCRIPTION	DIMENSION
1	1039581D	6	BELT SEALING	
2	302021A	8	HANDLE WN 450 A4 50XM8X20	



DETAIL A
SCALE 1:5

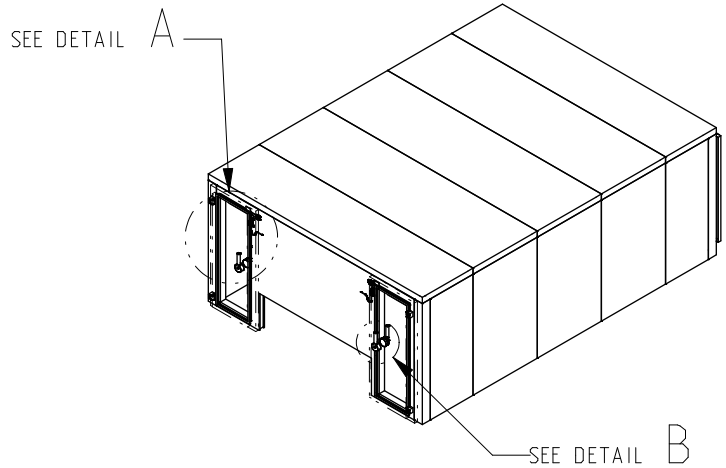
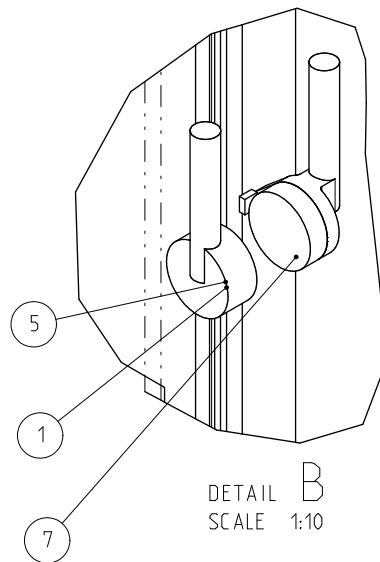
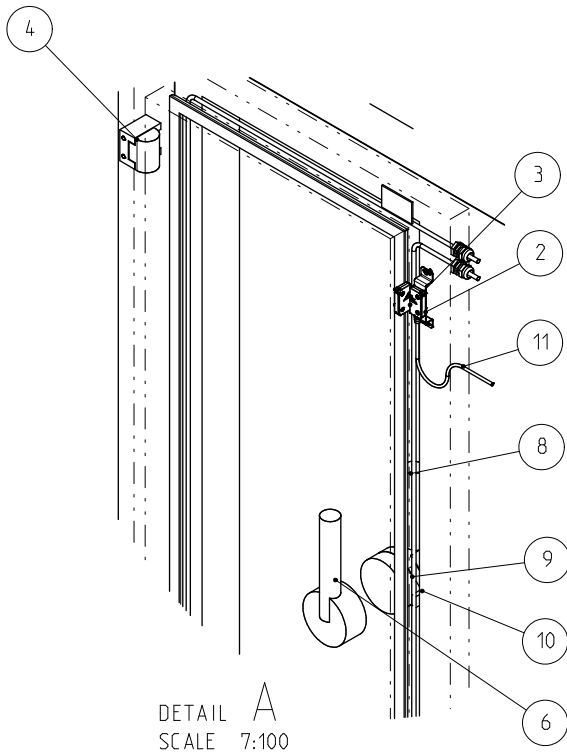


DETAIL B
SCALE 1:5



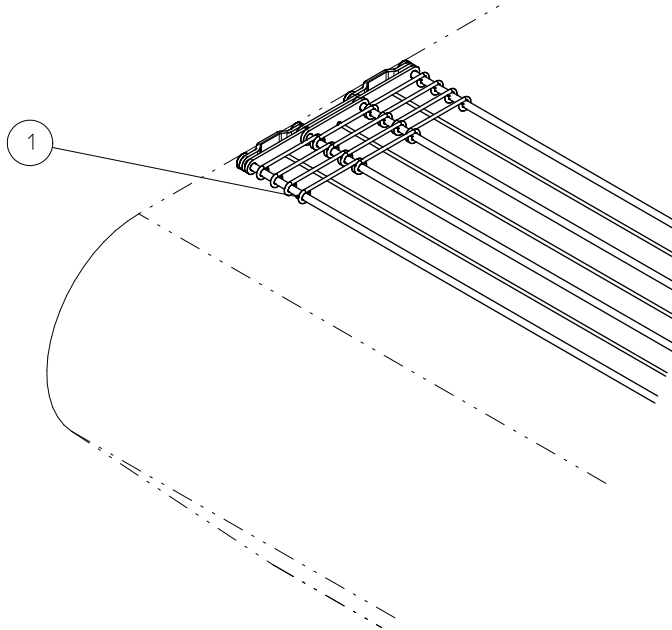


SPARE PARTS				
ITEM NO.			MANUFACTURING NUMBER	
1113662AW			00000000	
TITLE				SHEET OF
INSULATED ENCLOSURE ASSY				1 OF 1
INDEX	ITEM NO.	QTY	DESCRIPTION	DIMENSION
1	305045E	4	HEATING CABLE EM2-R COMPLETE	
2	305100E	4	SENS. JOKAB ADAM OSSD E3830215	
3	305100F	4	SENS. JOKAB EVA GEN. E3830212	
4	356192A	8	HINGE	
5	356193A	2	HANDLE, RIGHT EXTERNAL DOOR	
6	356193B	2	HANDLE, LEFT EXTERNAL DOOR	
7	356194A	2	HANDLE, RIGHT INTERNAL DOOR	
8	356194B	2	HANDLE, LEFT INTERNAL DOOR	
9	356195A	4	SPACER, DOOR HANDLE	
10	356196A	4	DOOR RELEASE	
11	305100G	4	SENS.CABEL 10M JOKAB E3861406	

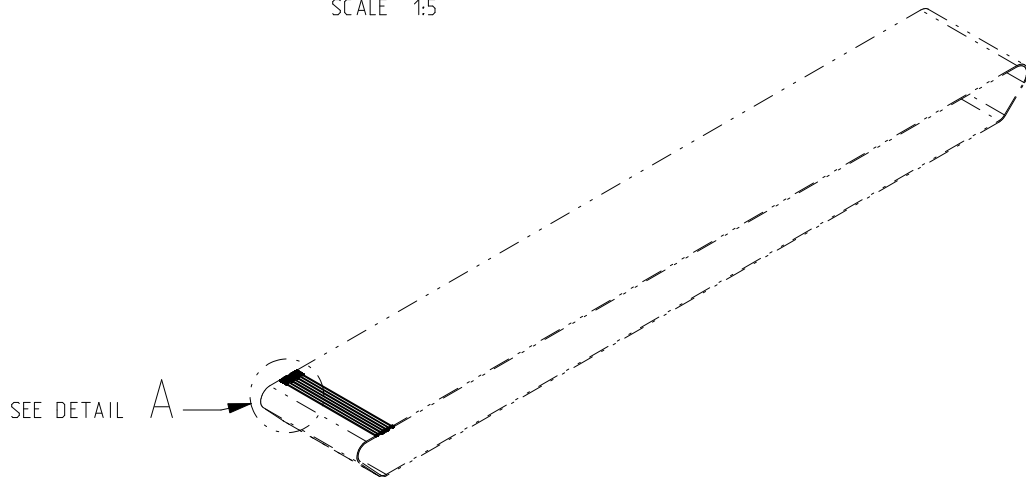




SPARE PARTS				
ITEM NO. 1235121HD			MANUFACTURING NUMBER 00000000	
TITLE WIRE LINK BELT EUROPEAN-ASSY				SHEET 1 OF 1
INDEX	ITEM NO.	QTY	DESCRIPTION	DIMENSION
1	303899H	4	ROD BELT SPLICING - 900 MM	



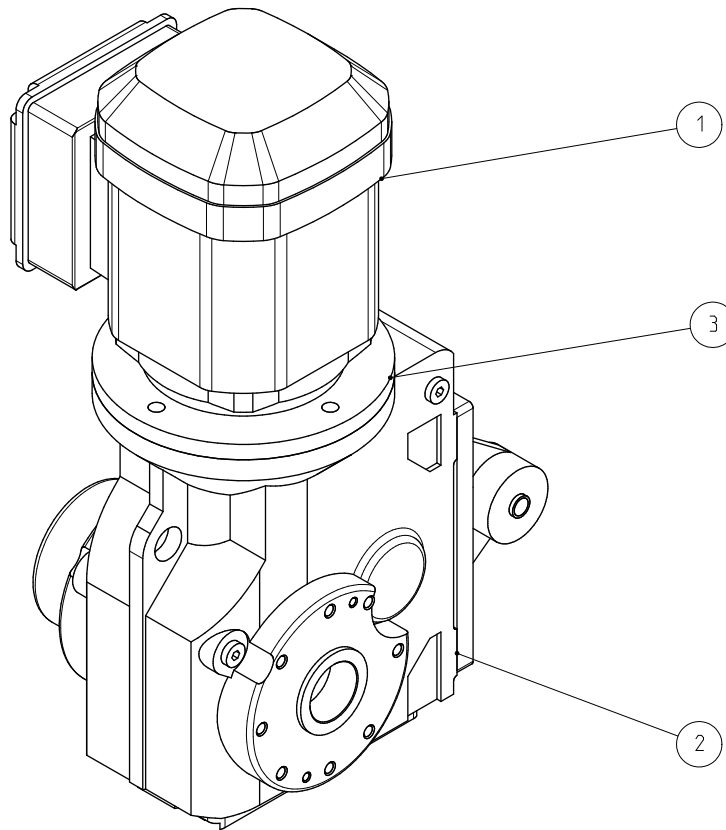
DETAIL A
SCALE 1:5



SCALE 1:50

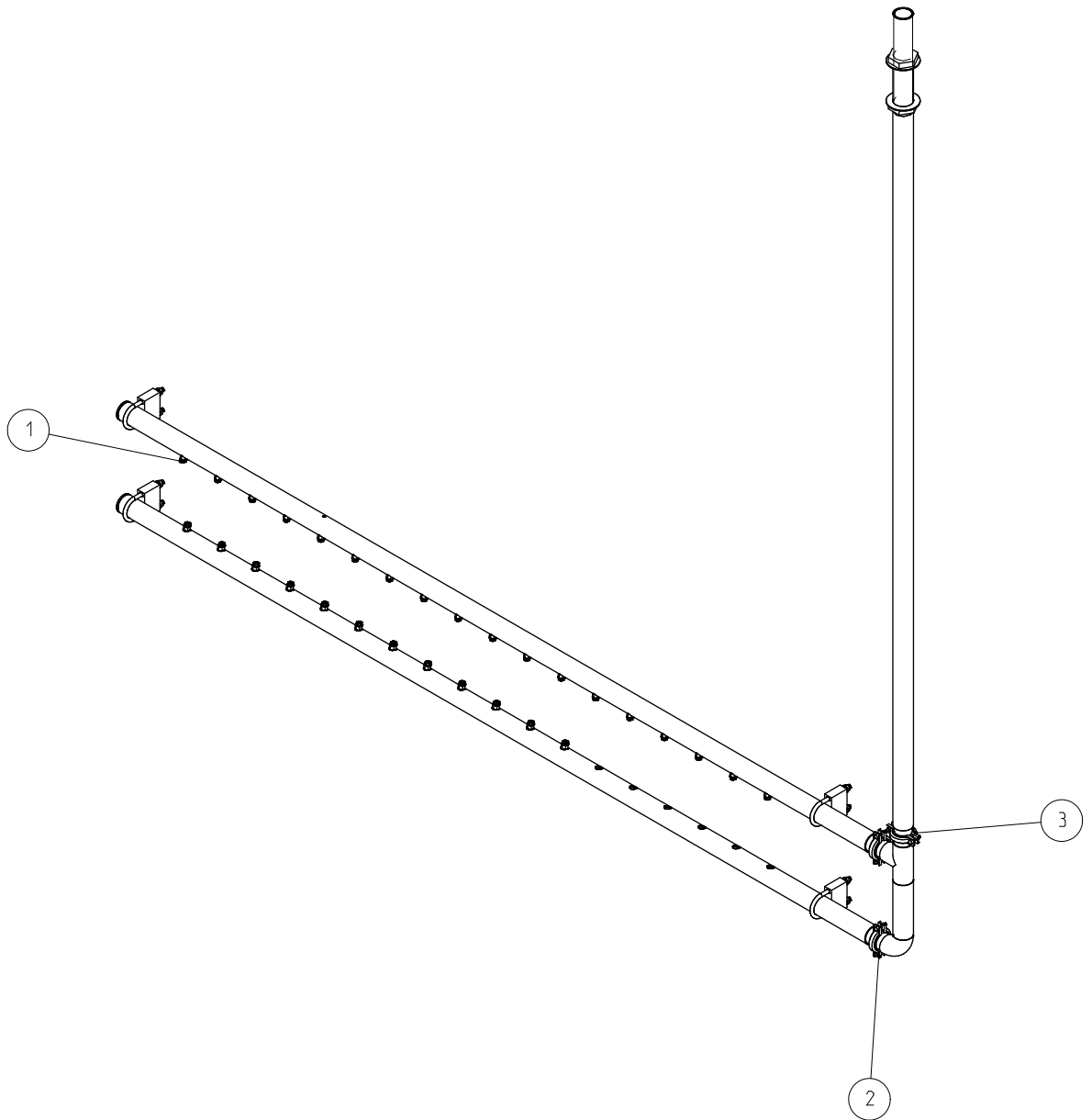


SPARE PARTS				
ITEM NO.			MANUFACTURING NUMBER	
192146AAX			00000000	
TITLE				SHEET OF
GEARMOTOR KH47 DRE71M6				1 1
INDEX	ITEM NO.	QTY	DESCRIPTION	DIMENSION
1	192146AA	1	MOTOR DRE71M6	
2	192146X	1	GEAR KH47	
3	192146AAX	1	GEARMOTOR KH47 DRE71M6	





SPARE PARTS				
ITEM NO. 1339731D			MANUFACTURING NUMBER 00000000	
TITLE PRODUCT ZONE RINSE - PZR				SHEET OF 1 1
INDEX	ITEM NO.	QTY	DESCRIPTION	DIMENSION
1	301384F	30	SPRAY NOZZLE H1/4 U8015	
2	302456A	3	TUBE CLAMP 25/33.7/38	
3	302457C	3	TUBE GASKET 38 TYPE A	





SPARE PARTS				
ITEM NO.			MANUFACTURING NUMBER	
320769AAX			00000000	
TITLE				SHEET OF
GEARMOTOR KH47 DRE71M6				1 1
INDEX	ITEM NO.	QTY	DESCRIPTION	DIMENSION
1	320769AA	1	MOTOR DRE71M6	
2	320769X	1	GEAR KH47	
3	320769AAX	1	GEARMOTOR KH47 DRE71M6	

