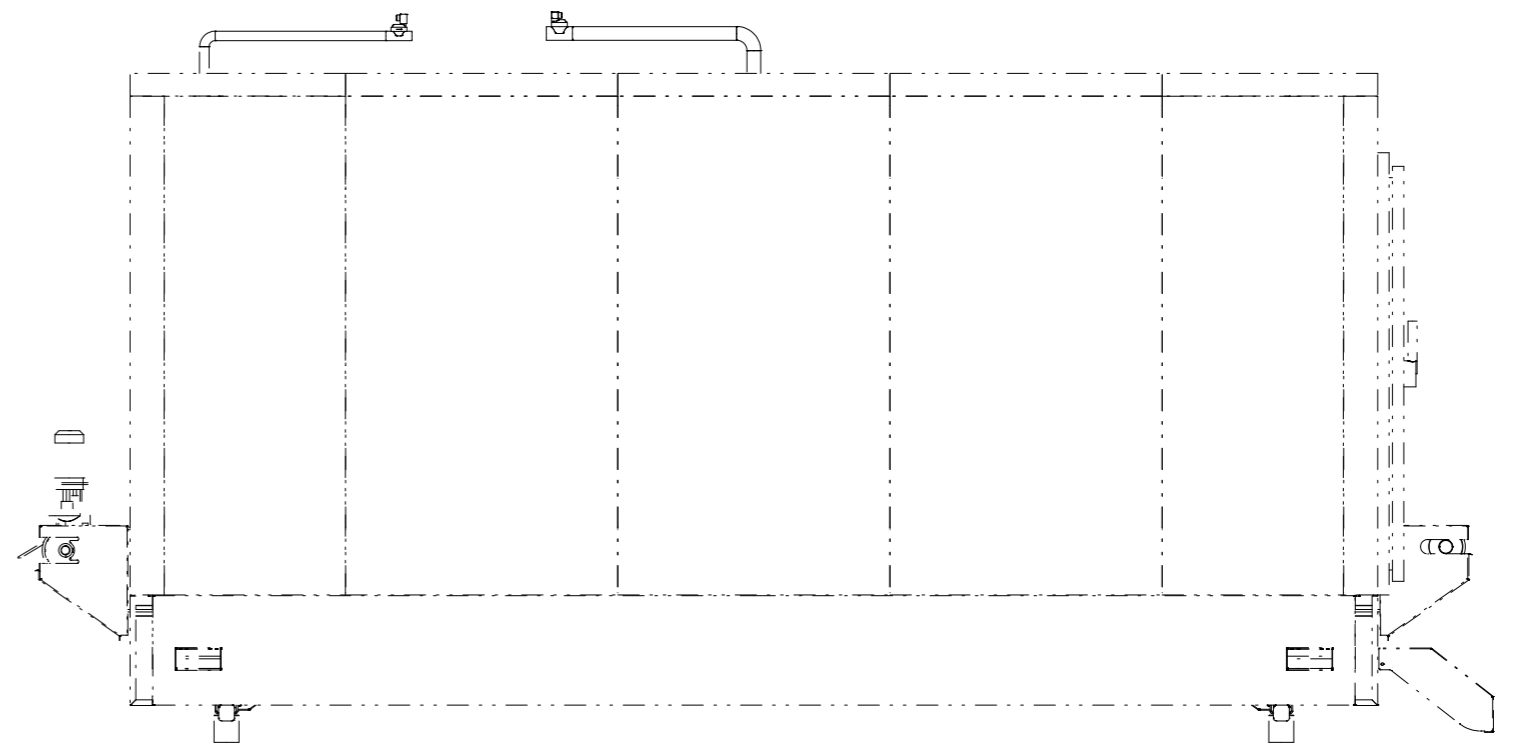
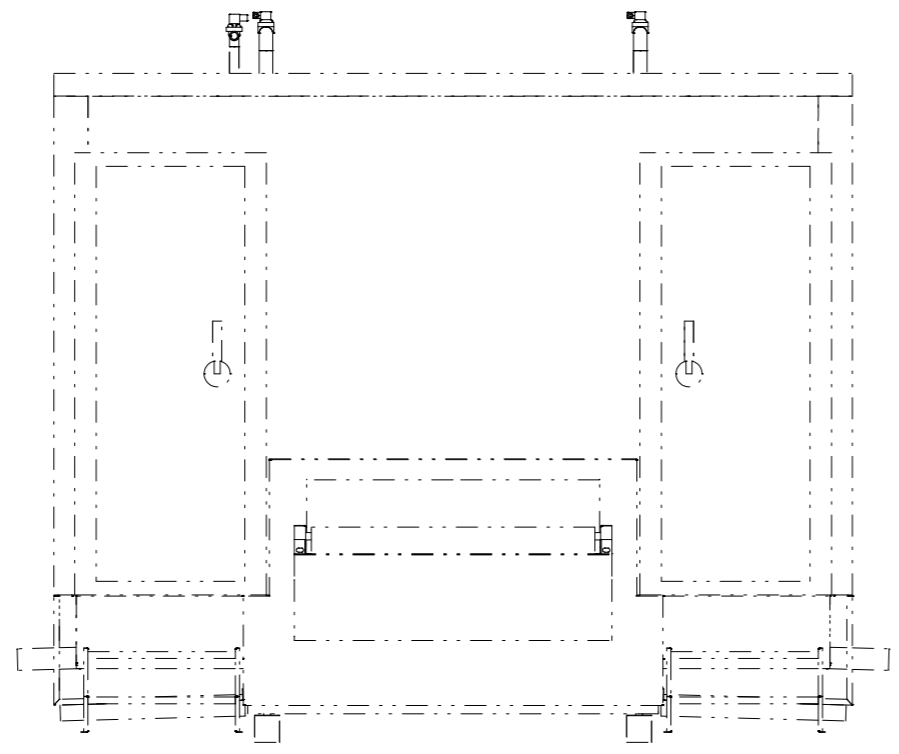
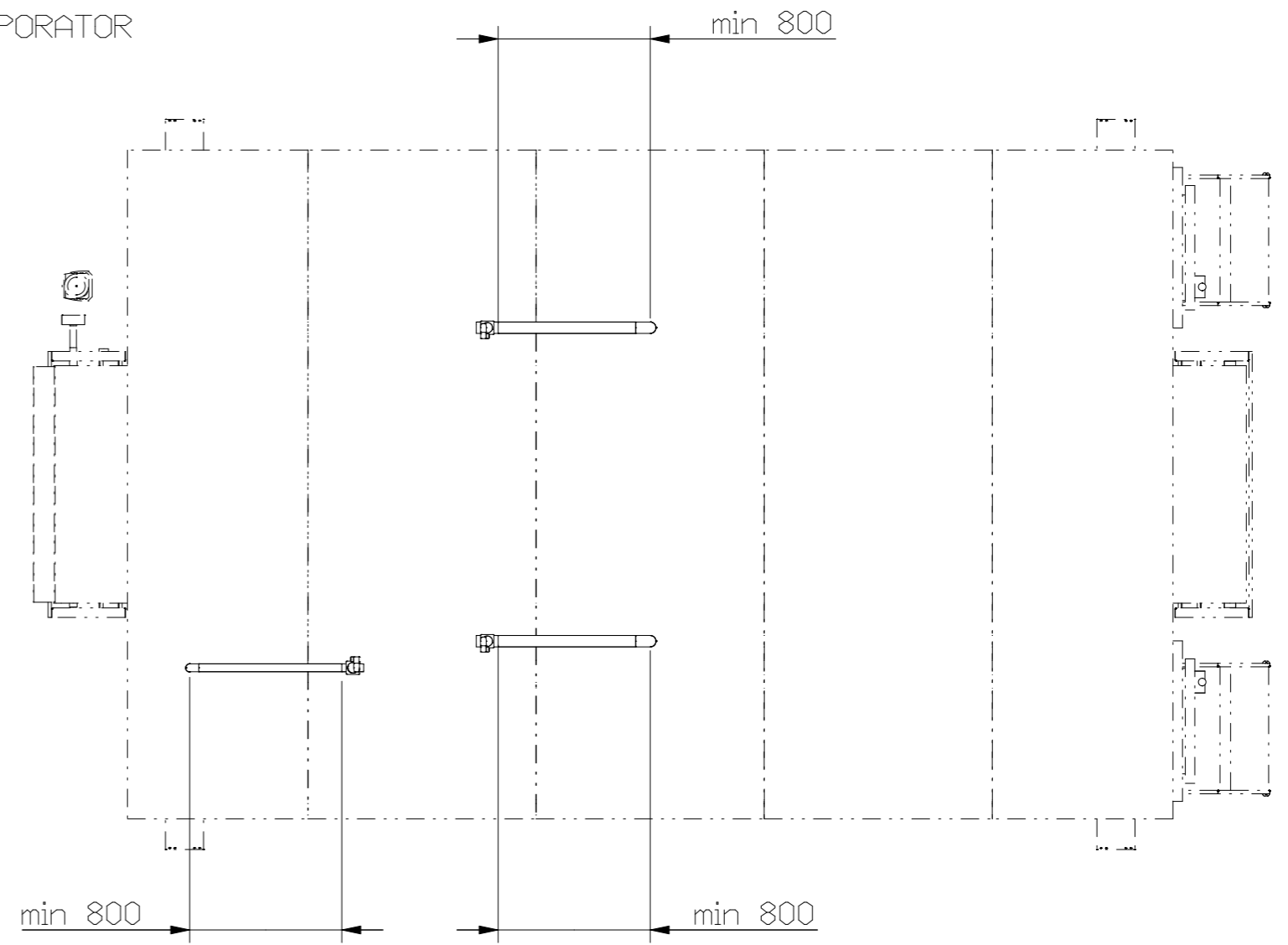
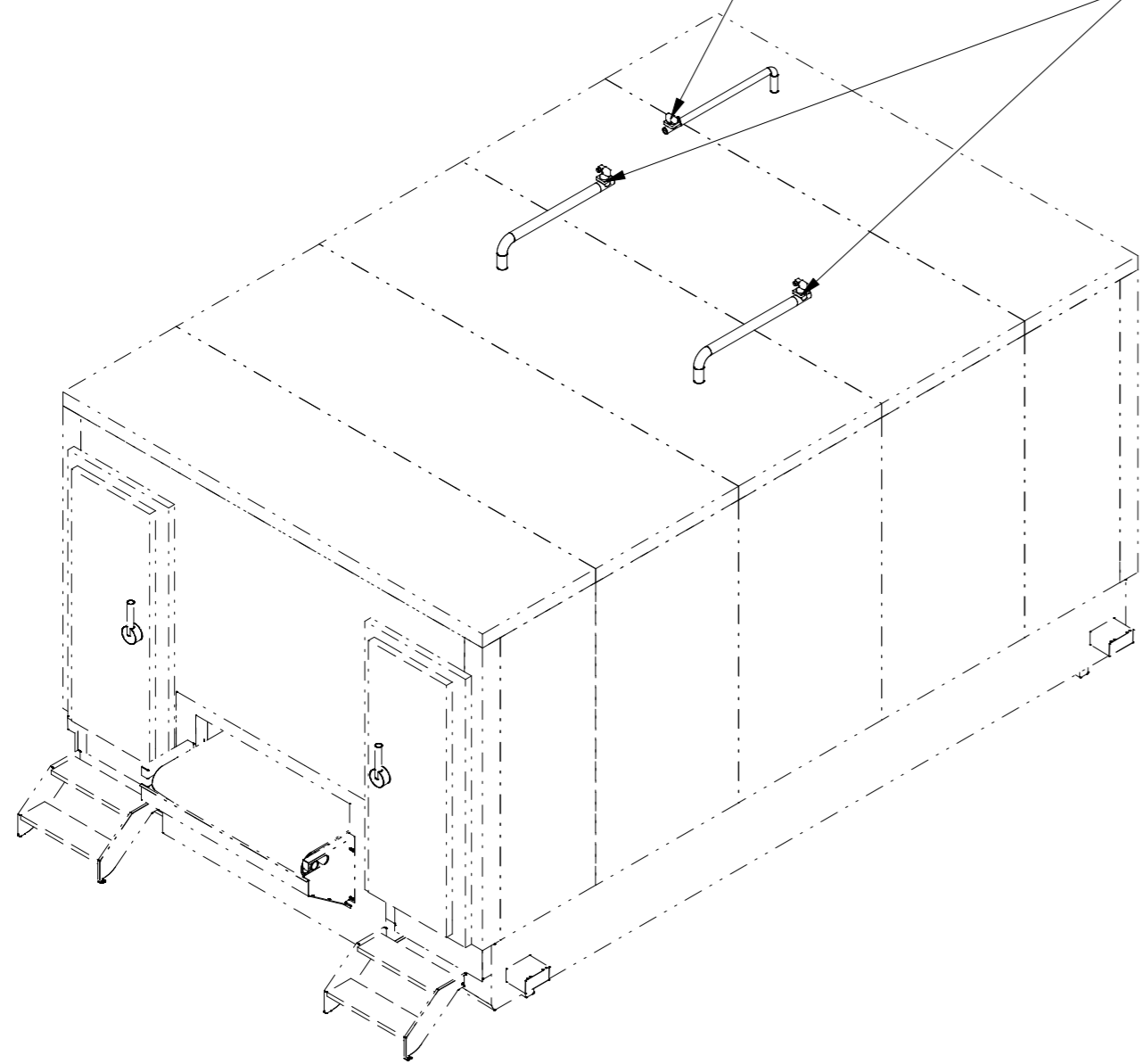


REV.	DESCRIPTION	YEAR MONTH DAY	SIGN.
0			



CONNECTION TO WATER VALVE BELT
(TUBE Ø42.4)

CONNECTIONS TO WATER VALVES DEFROST EVAPORATOR
(TUBES Ø60.3)



DO NOT SCALE IF IN DOUBT ASK

CONFIDENTIAL AND PROPRIETARY - PROPERTY OF JBT CORPORATION AND/OR ITS AFFILIATES ("JBT"). Information in this document is confidential and proprietary and may not be reproduced in any form, distributed or divulged without the written permission of JBT.

POS	ITEM NO	DWG	DESCRIPTION	QTY	DIMENSION	NOTE
DRAWN	YEAR MONTH DAY	SEPARATE PARTS LIST	TITLE			UNLESS OTHERWISE STATED ALL TOLERANCES SHOULD BE ACCORDING TO NORM 0015
APPROVED	090302	<input type="checkbox"/>	DIMENSIONDRW WATER VALVES			
		SURFACE TREATMENT ACC. TO NORM:				
SURFACE ROUGHNESS			DRAWING NUMBER	SHEET	SIZE	
✓ (✓)			1162563	1 of 1	2	